

## AIR-MITE PNEUMATIC VALVES

Air-Mite offers two main types of pneumatic valves- V-Series and Miniature Valves. Our V-Series Valves are available in both 3-way and 4-way configurations for the control of single and double-acting cylinders. These valves are available with a variety of different operators- manual, mechanical, solenoid, or air-piloted. The unique design of our valves allows for custom designs to be easily created to adapt to your special needs. If you don't see what you need in our catalog, please contact us as we most likely can make something for your application.

Air-Mite's Miniature valves line of small 3-way poppet and spool valves offer a variety of manual and mechanical operators in a space-saving design.

## FEATURES AND OPTIONS

Anodized Aluminum Body - one basic design permits use of different operators precision ground spools, shifting spool design, manual, solenoid, or pilot operated. 3 position available for some valves Buna N seals-standard Viton seals-available. Prelubed with Magnalube G for longevity in cycling Safety Foot Guard-FG300-recommended Operating Pressures: Air- $\frac{1}{8}$ ",  $\frac{1}{4}$ ",  $\frac{3}{8}$ " models-150 psi,  $\frac{1}{2}$ " model-120 psi Hydraulic - all models-300 psi

Cv Factors: 3-way:  $\frac{1}{8}$ " &  $\frac{1}{4}$ " npt-1.8  $\frac{3}{8}$ " &  $\frac{1}{2}$ " npt-2.9  
4-way:  $\frac{1}{8}$ " &  $\frac{1}{4}$ " npt-1.8  $\frac{3}{8}$ " &  $\frac{1}{2}$ " npt-2.9

## ORDERING INFORMATION

### V SERIES - MODEL NUMBERS (4 Digits)

1st Digit	2nd Digit	3rd & 4th Digit	
Type	Port Size	Actuator/Return-2 position	
V3 = 3-Way	1 = $\frac{1}{8}$ " npt	00 = Basic/Spring	08 = Pedal/Spring
V4 = 4-Way-2 pos.	2 = $\frac{1}{4}$ " npt	01 = Palm Button/Manual	09 = Treadle/Manual
V5 = 4 Way-2 pos./Dual Inlet	3 = $\frac{3}{8}$ " npt	02 = Palm Button/Spring	10 = Treadle/Spring
V4...3P = 4 Way-3 pos.	4 = $\frac{1}{2}$ " npt	03 = Handball/Manual	11 = Roller Cam/Spring
V5...3P = 4 Way-3 pos.		04 = Handball/Spring	12 = Ball Cam/Spring
		06 = Finger Tip/Spring	15 = Double Pilot
			16 = Single Pilot

Example: V4210 = 4-Way, 2 pos.  $\frac{1}{4}$ " single inlet treadle w/spring return.

Note: Modifications & some custom valve numbers can be created by combining primary model numbers with many of the below noted primary modifications.

### PRIMARY MODIFICATIONS - 2 & 3 POSITION VALVES

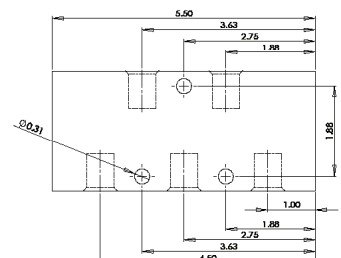
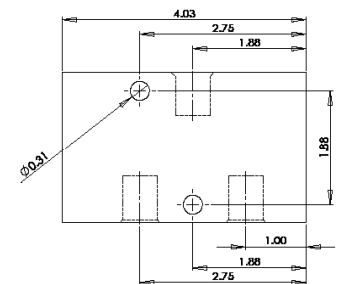
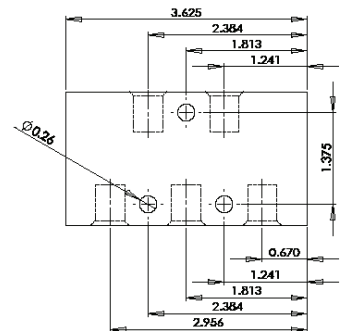
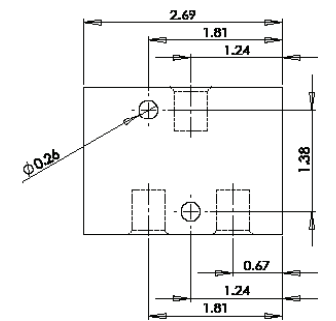
#### Manual Control Valve Suffixes - 2 Position Valves

A = Special mtg holes	LP - Low pressure pilot	S = Selector valve
D = Detent	NO = Normally open	T = Light duty spring
G = Heavy duty spring	P = Pilot return	V = Viton seals
H = Hydraulic (Low Pressure)	PM = Panel mount	X = X201 mufflers in ports
HD = Heavy duty actuator	R = Diverter valve	Y = Shorter hand ball assy. 3 OAL

#### Manual Control Valve Suffixes 3 Position Valves

-To order 3 position valves, add the following suffix to 4-way, 2 pos. primary valve numbers

3P = 3 position, closed center, spring to center	3PD = 3 position, closed center, detented
3PO = 3 position, open center, spring to center	3POD = 3 position, open center, detented

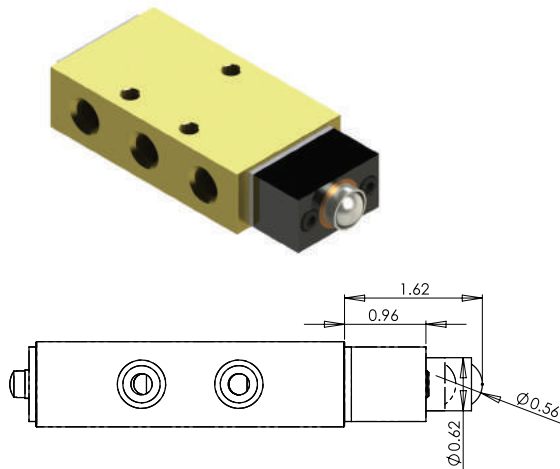




## Ball Cam Control Valve

### Features Include:

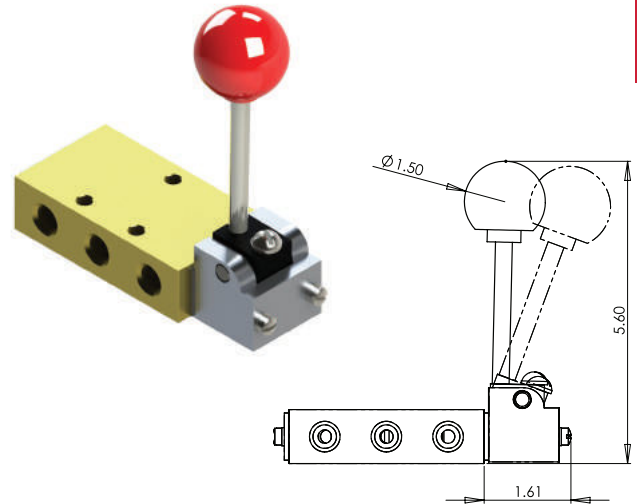
- Mechanically operated by ball plunger
- 3-way or 4-way configuration
- 1/8", 1/4", 3/8", or 1/2" port sizes
- Available as 2-position spring-return or 2-position pilot return



## Hand Ball Control Valve

### Features Include:

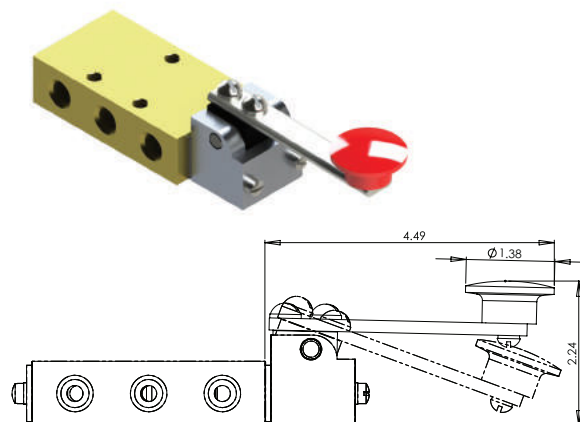
- Manually operated by hand lever
- 3-way or 4-way configuration
- 1/8", 1/4", 3/8", or 1/2" port sizes
- Available as 2-position, 2-position spring-return, 3-position detented, or 3-position spring to center
- Open or closed center for 3-position



## Finger Lever Control Valve

### Features Include:

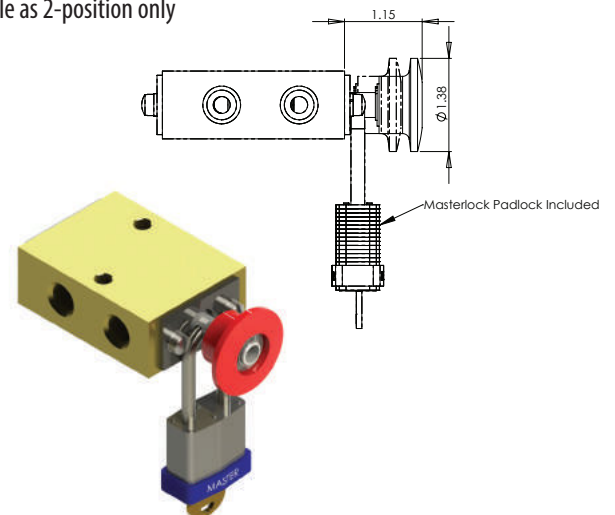
- Manually operated by finger lever
- 3-way or 4-way configuration
- 1/8", 1/4", 3/8", or 1/2" port sizes
- Available as 2-position spring-return



## Lockout Control Valve

### Features Include:

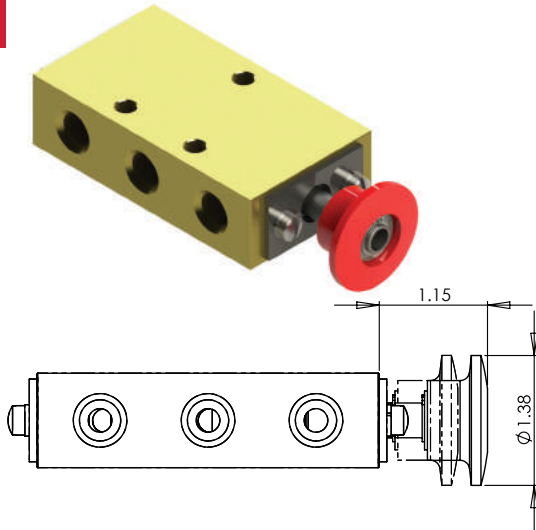
- Manually operated by palm button
- Can be locked out in off position
- Includes padlock
- 3-way or 4-way configuration
- 1/8", 1/4", 3/8", or 1/2" port sizes
- Available as 2-position only



### Palm Button Control Valve

#### Features Include:

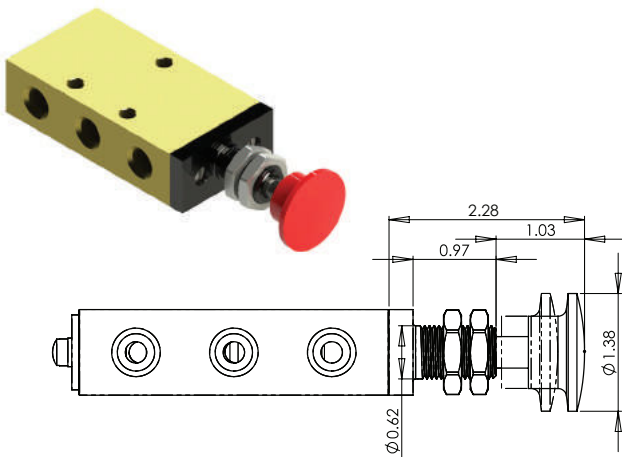
- Manually operated by palm button
- 3-way or 4-way configuration
- 1/8", 1/4", 3/8", or 1/2" port sizes
- Available as a 2-position, 2-position spring-return, 3-position detented, 3-position spring to center
- Open or closed center for 3-position



### Panel Mount Control Valve

#### Features Include:

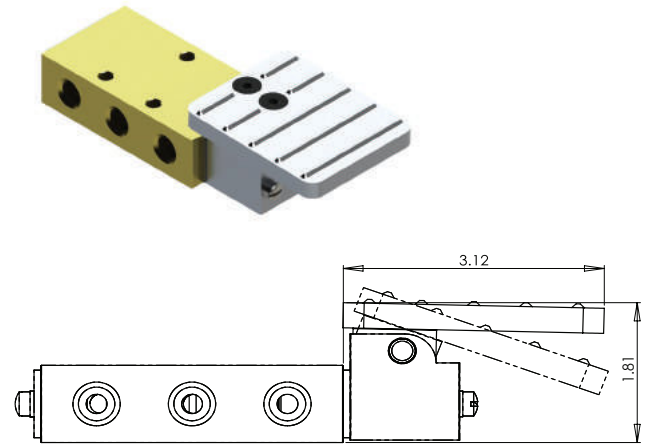
- Manually operated by palm button
- Allows for mounting through a panel
- 3-way or 4-way configuration
- 1/8", 1/4", 3/8", or 1/2" port sizes
- Available as 2-position only



### Pedal Control Valve

#### Features Include:

- Foot operated by pedal
- 3-way or 4-way configuration
- 1/8", 1/4", 3/8", or 1/2" port sizes
- Available as 2-position spring-return
- Safety Foot Guard- FG300 is strongly recommended to prevent accidental tripping of valve



### Pilot Control Valve

#### Features Include:

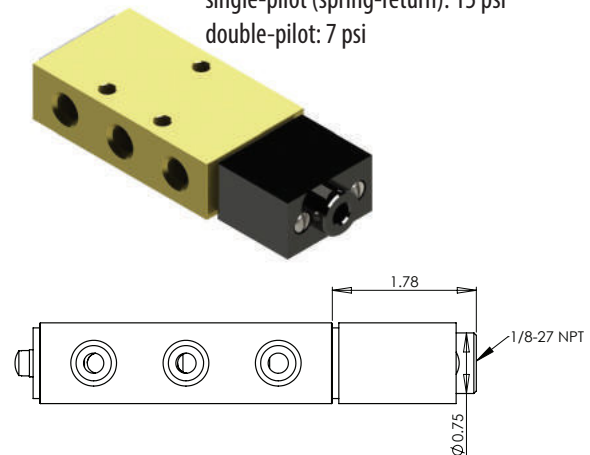
- Pilot operated by air pressure
- 3-way or 4-way configuration
- 1/8", 1/4", 3/8", or 1/2" port sizes
- Available as a 2-position single-pilot (spring-return) or 2-position double-pilot
- Minimum Operating Pressures:

#### Standard Pilot

- single-pilot (spring-return): 25 psi
- double-pilot: 10 psi

#### Low Pressure Pilot

- single-pilot (spring-return): 15 psi
- double-pilot: 7 psi

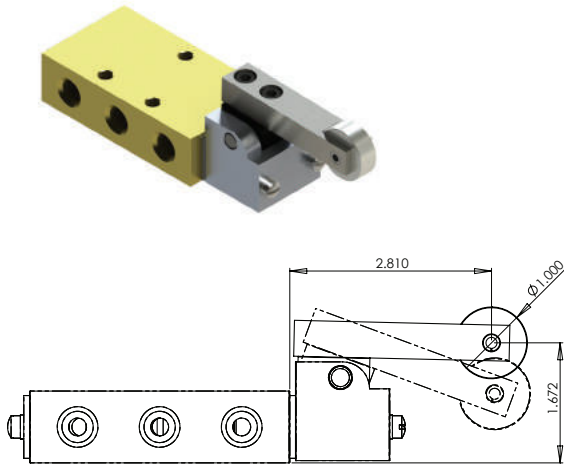




## Roller Cam Control Valve

### Features Include:

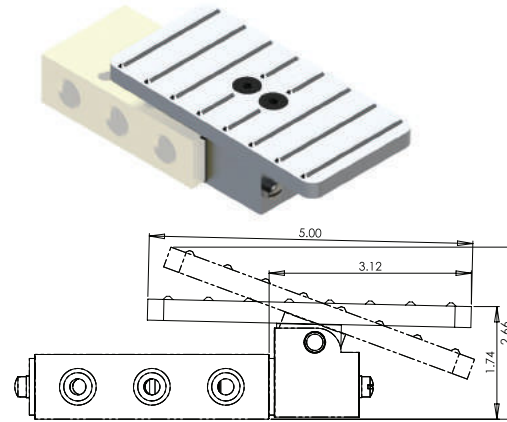
- Mechanically operated by roller cam
- 3-way or 4-way configuration
- 1/8", 1/4", 3/8", or 1/2" port sizes
- Available as 2-position spring-return or 2-position pilot-return



## Treadle Control Valve

### Features Include:

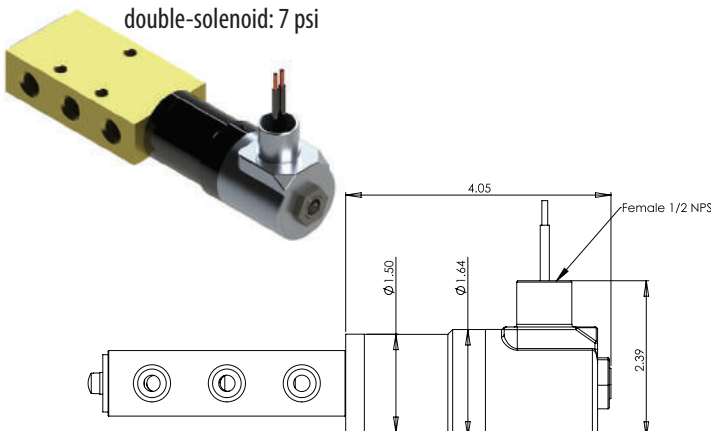
- Foot operated by pedal that allows motion both backwards and forwards
- 3-way or 4-way configuration
- 1/8", 1/4", 3/8", or 1/2" port sizes
- Available as a 2-position, 3-position detented, 3-position spring to center
- Open or closed center for 3-position
- Safety Foot Guard- FG300 is strongly recommended to prevent accidental tripping of valve



## Solenoid Control Valve

### Features Include:

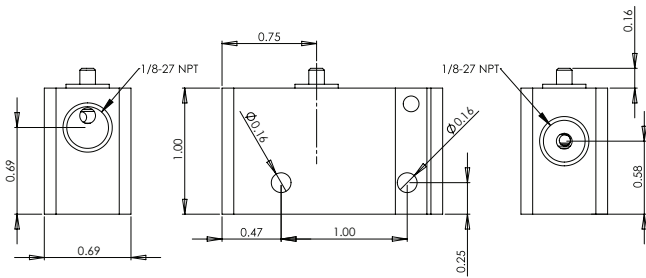
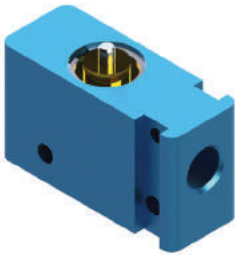
- Electrically operated by solenoid
- Variety of voltages available from stock
- Valves are internally piloted- no secondary air supply is required
- Explosion proof operators optional
- 3-way or 4-way configuration
- 1/8", 1/4", 3/8", or 1/2" port sizes
- Available as a 2-position single-solenoid (spring-return) or 2-position double-solenoid
- Minimum Operating Pressures:  
 single-solenoid (spring-return): 15 psi  
 double-solenoid: 7 psi



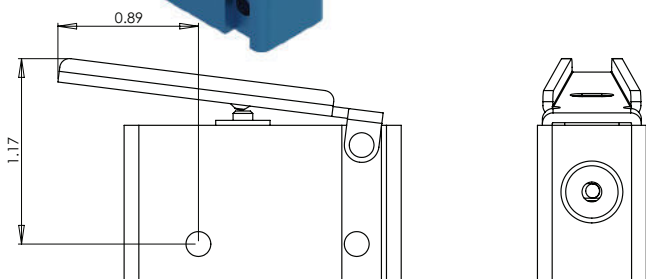
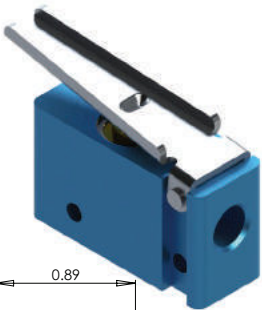
**WARNING:** All hand and foot operated valves should be guarded to prevent accidental or unintended operation in accordance with OSHA Section 1910.217 and AIS Section B11.1

**MV2-A Miniature Valve****Features Include:**

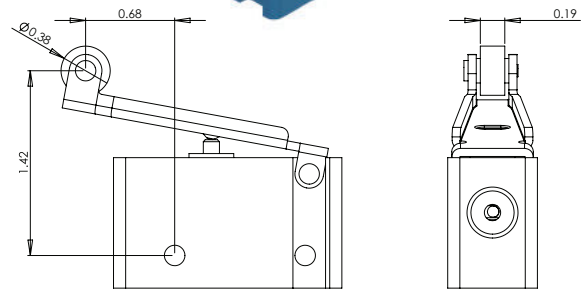
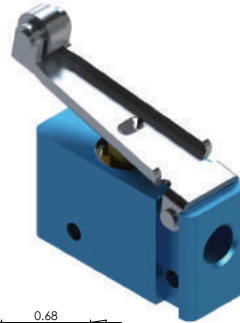
- Basic valve with no operator
- 1/8" diameter push button
- Spring return
- 3-way configuration
- 1/8" port size
- Can be used normally open or normally closed

**MV2-B Miniature Valve****Features Include:**

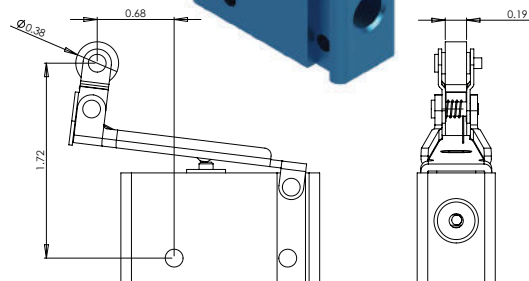
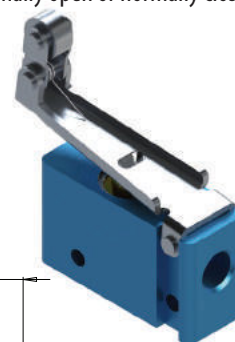
- Lever operator
- 1-7/8" long steel lever
- Spring return
- 3-way configuration
- 1/8" port size
- Can be used normally open or normally closed

**MV2-C Miniature Valve****Features Include:**

- Roller lever operator
- 3/8" diameter roller on lever
- Spring return
- 3-way configuration
- 1/8" port size
- Can be used normally open or normally closed

**MV2-D Miniature Valve****Features Include:**

- One-way roller lever operator
- 3/8" diameter roller on lever
- Valve only actuates from one direction
- Spring return
- 3-way configuration
- 1/8" port size
- Can be used normally open or normally closed



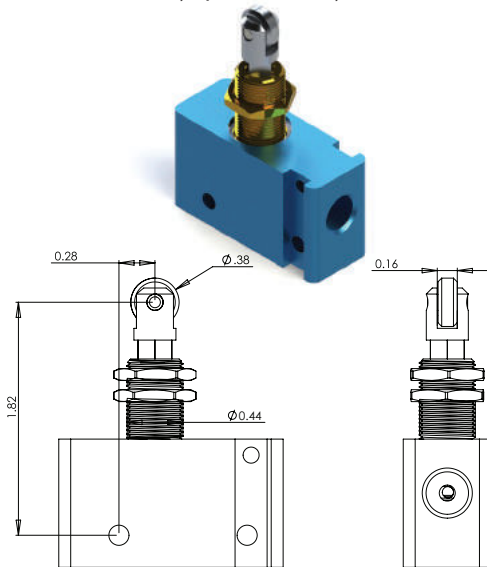




## MV2-E Miniature Valve

### Features Include:

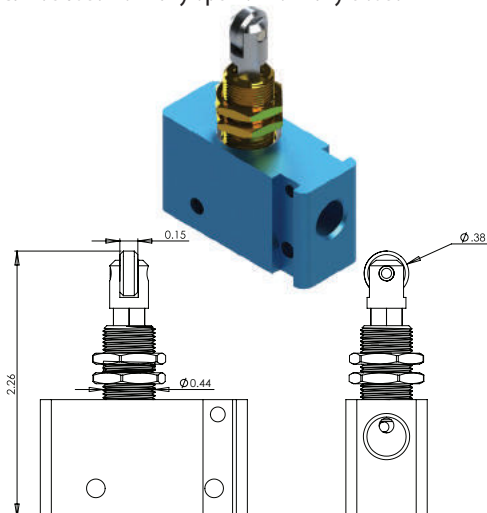
- Roller plunger operator
- $\frac{3}{8}$ " diameter roller on plunger
- Roller is oriented parallel to valve body
- Spring return
- Can be mounted through a panel
- 3-way configuration
- $\frac{1}{8}$ " port size
- Can be used normally open or normally closed



## MV2-F Miniature Valve

### Features Include:

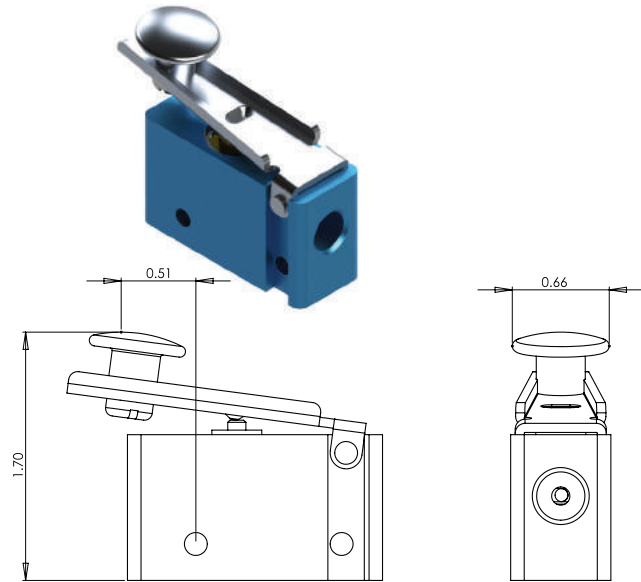
- Roller plunger operator
- $\frac{3}{8}$ " diameter roller on plunger
- Roller is oriented perpendicular to valve body
- Spring return
- Can be mounted through a panel
- 3-way configuration
- $\frac{1}{8}$ " port size
- Can be used normally open or normally closed



## MV2-G Miniature Valve

### Features Include:

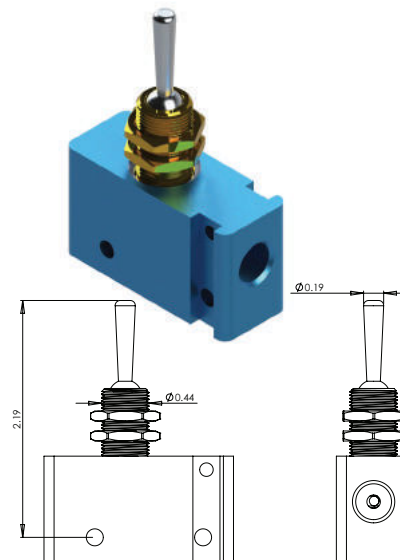
- Fingertip lever operator
- Finger button mounted on lever
- Spring return
- 3-way configuration
- $\frac{1}{8}$ " port size
- Can be used normally open or normally closed



## MV2-H Miniature Valve

### Features Include:

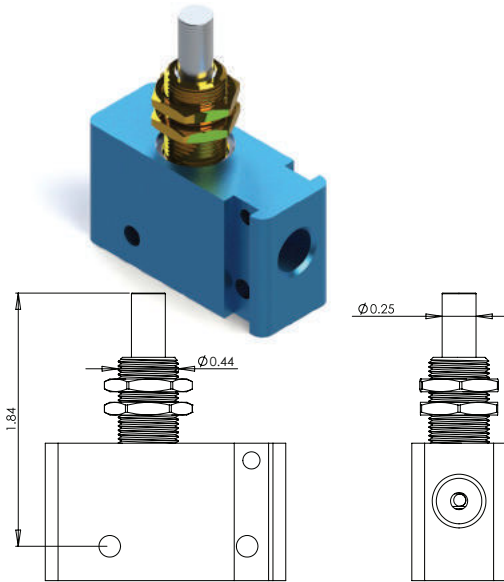
- Toggle operator
- Toggle can be operated in any direction
- Can be mounted through a panel
- 3-way configuration
- $\frac{1}{8}$ " port size
- Can be used normally open or normally closed



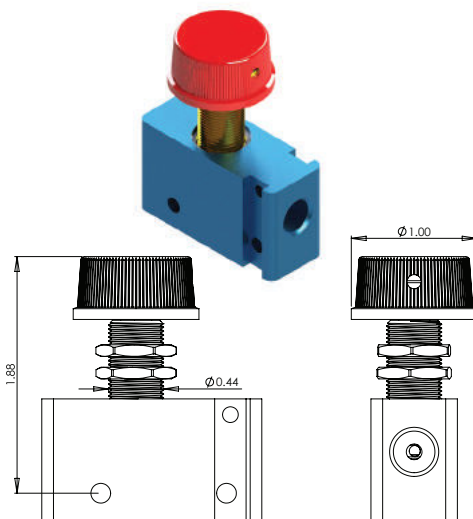
Please call 224-338-0071 for current prices

**MV2-J Miniature Valve****Features Include:**

- Plunger operator
- $\frac{3}{32}$ " diameter steel plunger
- Spring return
- Can be mounted through a panel
- 3-way configuration
- $\frac{1}{8}$ " port size
- Can be used normally open or normally closed

**MV2-K Miniature Valve****Features Include:**

- Knob operator
- 1" diameter plastic knob mounted on plunger
- Spring return
- Can be mounted through a panel
- 3-way configuration
- $\frac{1}{8}$ " port size
- Can be used normally open or normally closed

**MV2-L Miniature Valve****Features Include:**

- Toggle operator
- Toggle can only be operated in a straight line
- Can be mounted through a panel
- 3-way configuration
- $\frac{1}{8}$ " port size
- Can be used normally open or normally closed

